



VC30 Vessel Control System

The 3rd generation YANMAR Vessel Control System, VC30, features a new high quality display and precision-engineered joystick. Delivering a modern appearance, simplified installation, and seamless integration with YANMAR's full range of common rail engines, transmissions, and controls.



FEATURES

- Newly designed display with modern appearance and larger 4.3" 1000cd optically bonded screen.
- Newly designed joystick with matching design and integrated buttons.
- Improved water resistance on VC30 display.
- Enabling up to 4 helm stations.
- Synchronization, night mode and auto dimming ensures effective lighting of the equipment.
- Fewer components - combined Helm, Drive, Joystick ECUs and EPV Driver into single Marine ECU.
- Introducing CAN lanyard function for improved safety.
- Easier installation and connectivity with less components.
- Hardwired backup panel for ease of mind.
- Improved GUI for easier configuration and control.
- Compact wiring and connectors enable quicker, hassle-free installation.
- NMEA2000 output from the display.

Multifunctional

The VC30 has been developed for single, twin, and triple engine installations.

The new system offers dedicated control modes for YANMAR joystick controls, JC30Z for sterndrive applications and JC30 for inboard applications.

Compatibility

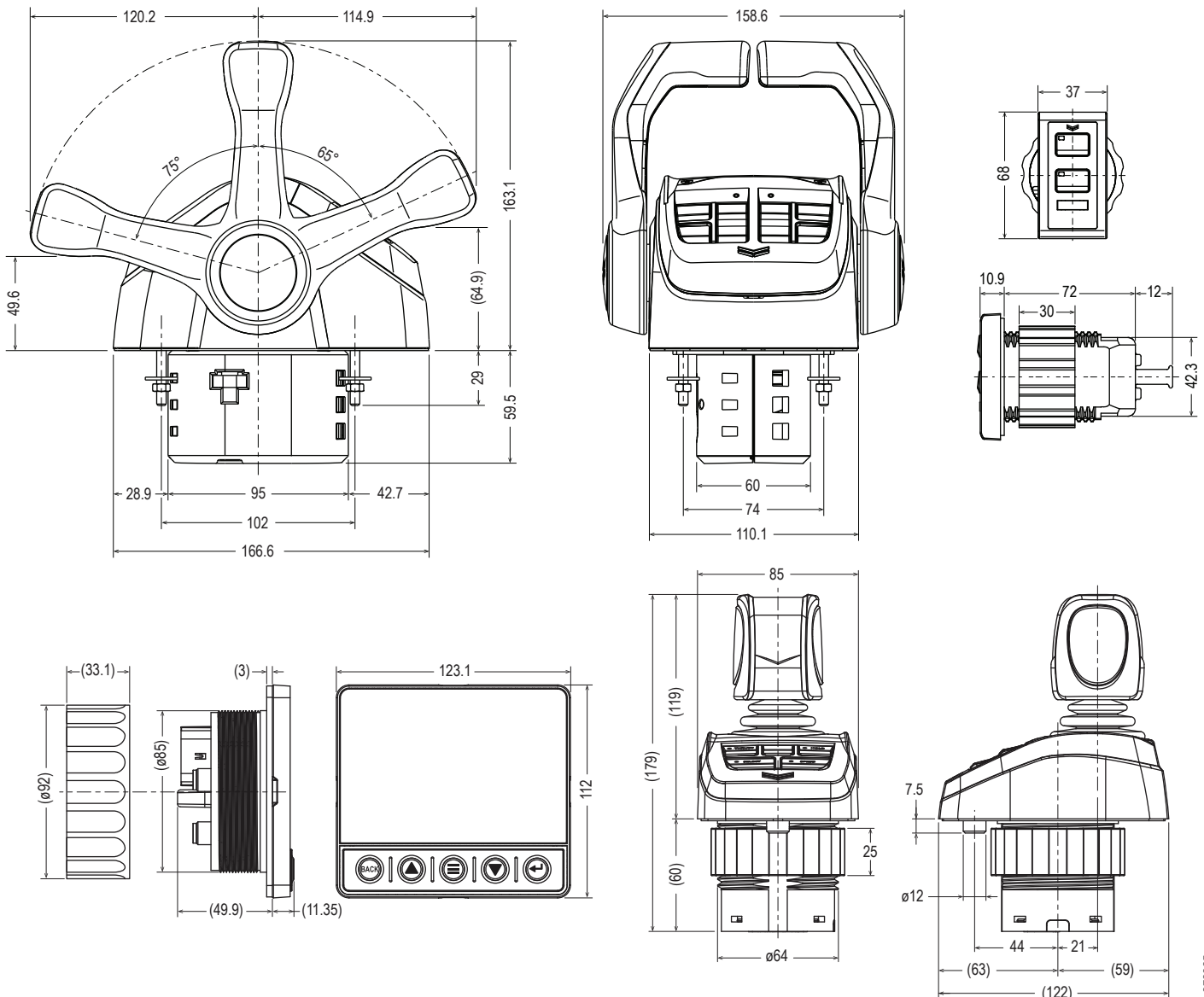
VC30 is applicable for YANMAR's common rail marine diesel engines for sailboat, powerboat, and light duty commercial applications, including JH-CR, 4LV, 8LV, 6LY-CR, 6LF and 6LT engine series.



SPECIFICATIONS

Product	Switch Panel	Control Head	Display	Joystick
Power supply range	DC 10 ~ 16V (12V)	DC 10 ~ 16V (12V)	DC 10 ~ 16V (12V)	DC 10 ~ 16V (12V)
Operating temperature limit	-30 to 65°C (-22 to 149°F)	-30 to 65°C (-22 to 149°F)	-20 to 70°C (-4 to 158°F)	-30 to 75°C (-22 to 167°F)
Storage temperature range	-30 to 80°C (-22 to 176°F)	-30 to 80°C (-22 to 176°F)	-40 to 85°C (-40 to 185°F)	-40 to 85°C (-40 to 185°F)
Water resistance	Front: IPx7 Back: IPx6	Front: IPx7 Back: IPx6	Front: IPx7 Back: IPx7	Front: IPx6 Back: IPx6
Product weight	0.2 kg (0.4 lbs)	2.1 kg (4.6 lbs)	0.3 kg (0.6 lbs)	0.5 kg (1.1 lbs)

DIMENSIONS



NOTE: All data subject to change without notice. Text and illustrations are not binding.