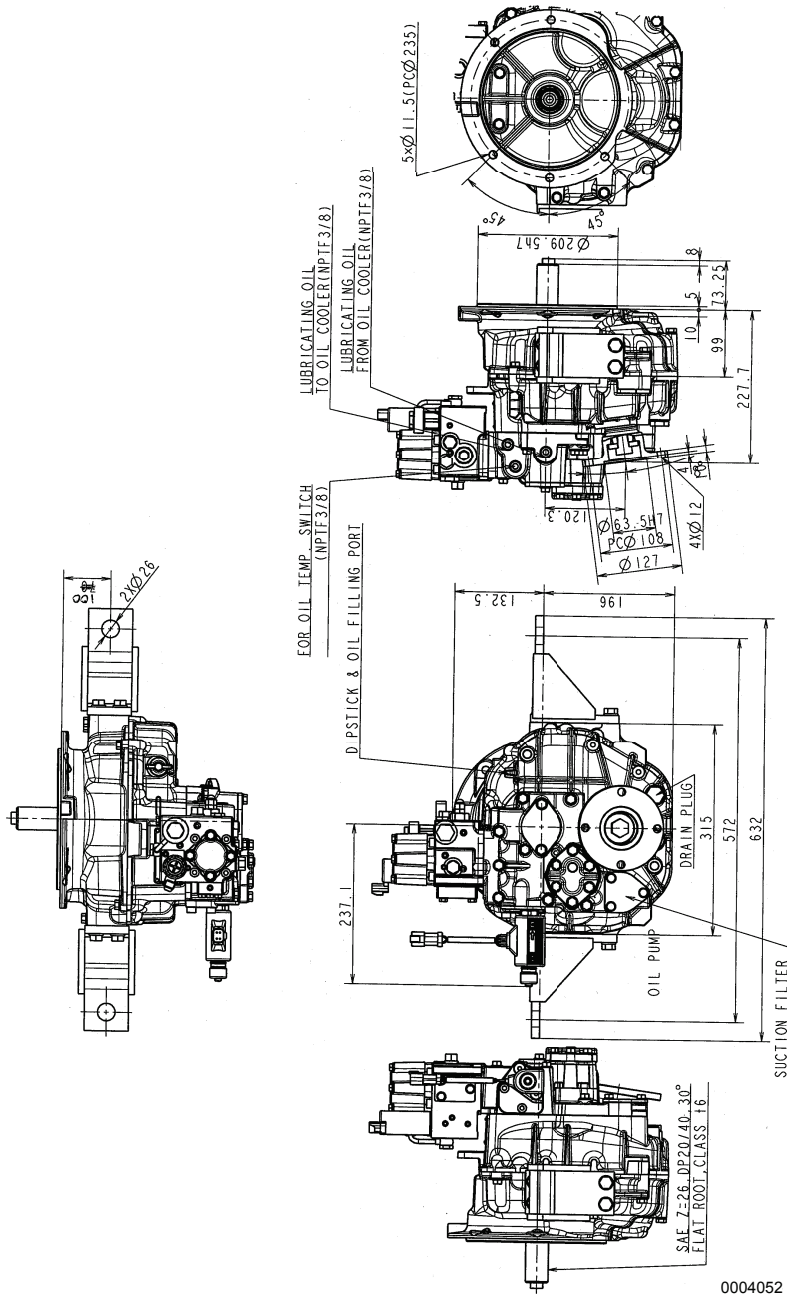


# SPECIFICATIONS

## OUTLINE DRAWINGS

### KMH40A

#### Borg Warner Flange



0004052

Figure 1