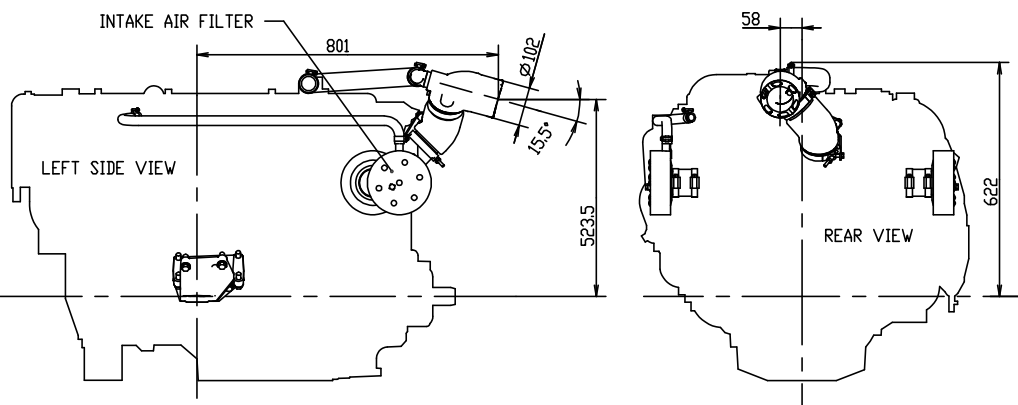
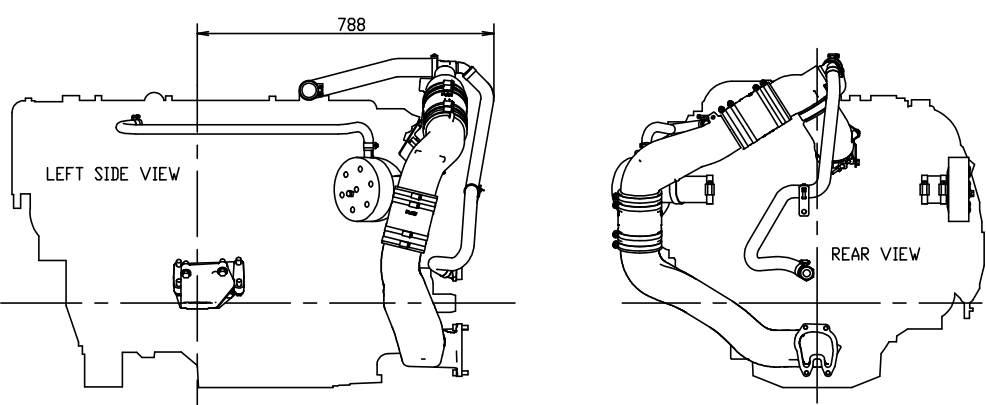
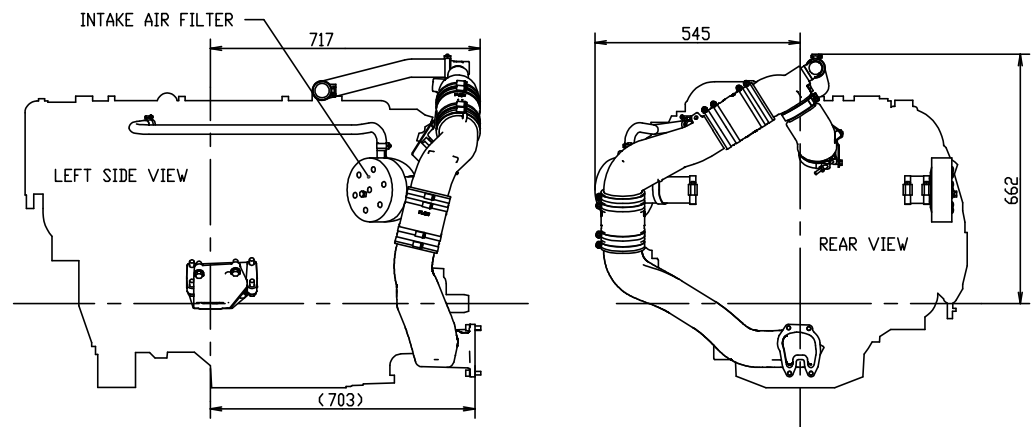
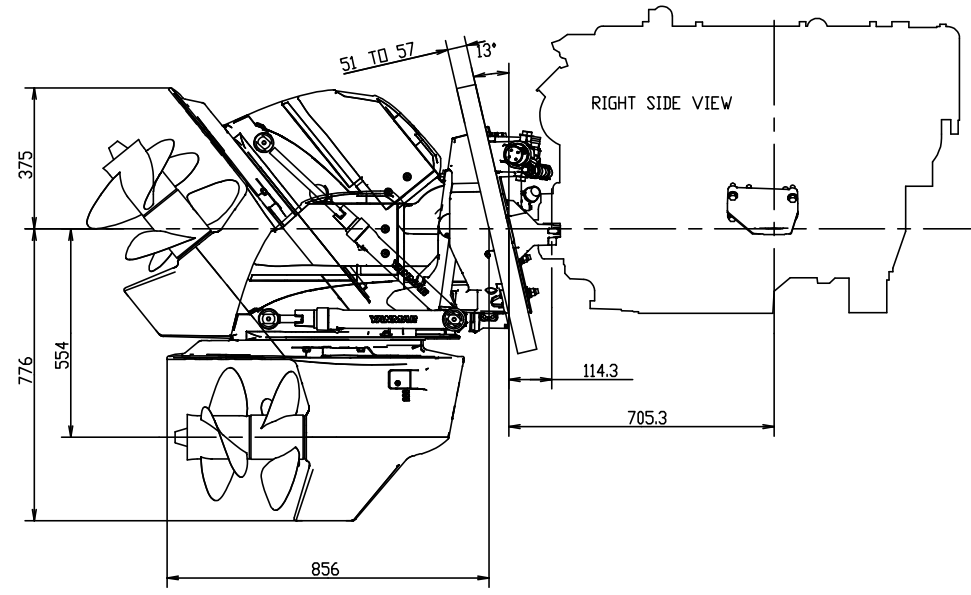
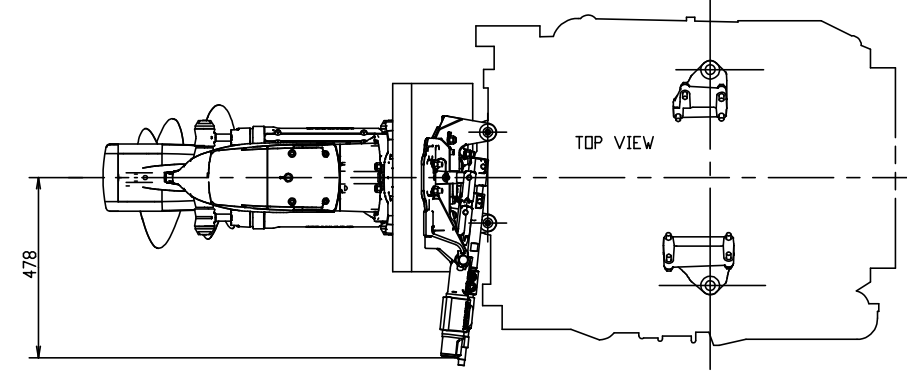


(2010.08.31)????????????????????
 RELEASE OF DRAWING FOR
 MASS PRODUCTION.
 (YDSBD-10005)(????)

NEED	○	PURCHASING SPECIFICATION	REQUEST FOR APPROVAL	DELIVERY DRAWING	INSPECTING STANDARD	QC-PROCESS																		
GEN. TOL.	0.1	OUTSIDE	NOMINAL DIM	5 TO	10 TO	18 TO	30 TO	L-CAST	120 MAX	120 TO	250 TO	400 TO	800 TO	1600 TO	L-CHIP	0.5 TO	= 6	±0.1	400 TO	=1000	±0.8	10 MAX	±1DEG.	
DRAFT ANG.	2/100	INSIDE	SANDMOLD	5 MAX	= 10	= 18	= 30		±1.5	±2.0	±3.0	±4.0	±5.0	±7.0		6 TO	= 30	±0.2	1000 TO	=2000	±1.2	10 TO	= 50	±30MIN.
	3/100	CAST WALL THICK	SHELL	±1.0	±1.5	±2.0	±3.0	±3.5	±1.0	±1.5	±2.0	±3.0	±4.0	±6.0		30 TO	=120	±0.3	2000 TO	=4000	±2.0	50 TO	=120	±20MIN.
				±0.8	±1.0	±1.5	±2.0	±2.0								120 TO	=400	±0.5				120 TO	=400	±10MIN.
																400 MIN						400 MIN		± 5MIN.



DRIVE EXHAUST (STANDARD)
 D19799-03130
 D19799-13280
 D19799-13410
 D19799-18130
 D19799-49610

DRIVE EXHAUST WITH WATER BYPASS (OPTION)
 D19799-03130
 D19799-13280
 D19799-13410
 D19799-18130
 D19799-49620

HIGHT RISER EXHAUST (OPTION)
 D19798-03130
 D19799-13290
 D19798-18130

DRIVE UNIT	REDUCTION				DRY WEIGHT, kg	DIRECTION OF ROTATION
ZT370	-	-	1.65	1.78	100	CONTRAROTATING PROPS

NOTES.
 1. REFER TO 'B2-19799-0010' DRAWING FOR DETAIL OF ENGINE.

When exposed to the use of environmentally hazardous substances, the substances shall conform to the requirements specified in US-V-1000J. Restrictions of use for Environmentally Hazardous Substances.

3D-CAD

NOTICE

GEOMETRICAL TOLERANCE	SYMBOL
FORM TOLERANCE	SYMBOL
STRAIGHTNESS TOLERANCE	SYMBOL
ROUNDNESS TOLERANCE	SYMBOL
PROFILE OF LINE TOLERANCE	SYMBOL
FLATNESS TOLERANCE	SYMBOL
CYLINDRICITY TOLERANCE	SYMBOL
SPHERICALITY TOLERANCE	SYMBOL
PARALLELISM TOLERANCE	SYMBOL
PERPENDICULARITY TOLERANCE	SYMBOL
ANGULARITY TOLERANCE	SYMBOL
POSITIONAL TOLERANCE	SYMBOL
COINCIDENCE TOLERANCE	SYMBOL
SYMMETRY TOLERANCE	SYMBOL
MAXIMUM MATERIAL CONDITION	SYMBOL
MINIMUM MATERIAL CONDITION	SYMBOL

CAD DATA INFORMATION OF THIS DRAWING.

CAD SYSTEM	Pro/Engineer Wildfire2.0
ARCHIVE FILE NAME	B2-19799-0020_rev0.zip
FILE ARCHIVER	ZIP
DATA TRANSLATION FORMAT	IGES

MASS,RAW	kg (± 2%)	MANAGER	??
MASS,CALC.	kg (± 2%)	SCALE	1:10
SEN,ENGINEER	SEC,MANAGER	MODEL	8LV 320 Z
CHECKED	SPECIALIST	QTY	8LV 350 Z
DESIGNED	DRAWN	DATE:Y.M.D	8LV 370 Z
???		2010.08.31	NAME
8LV-Z APPLICATION (1/2)			
OUTLINE DRAWING FOR OPTIONAL PARTS			
YANMAR			CODE
YANMAR CO.,LTD. DEVELOPMENT DEPT.			B2-19799-0020
			DRAWN SIZE
			A1