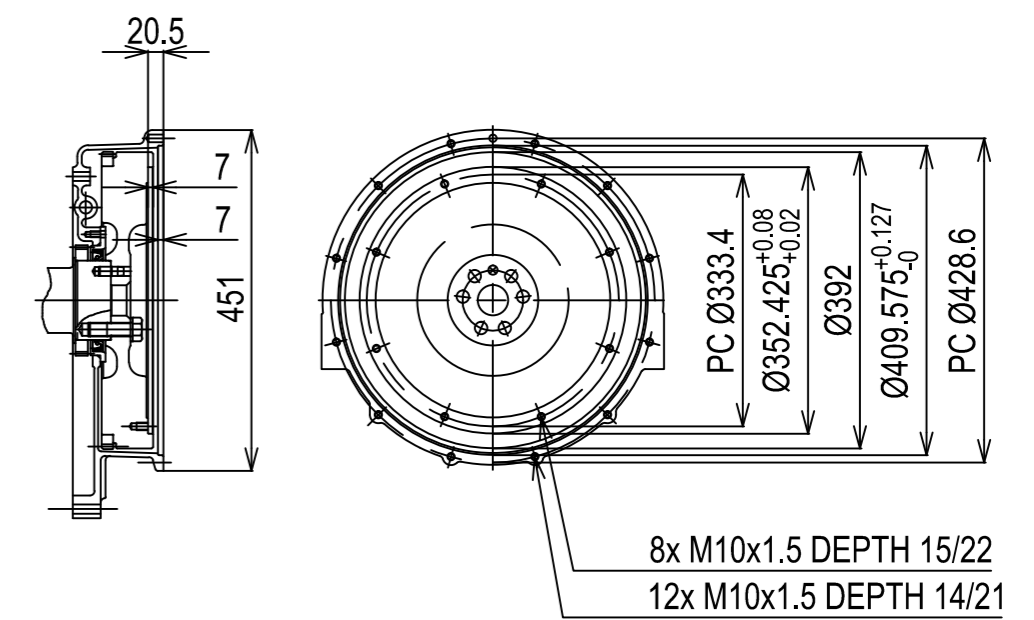
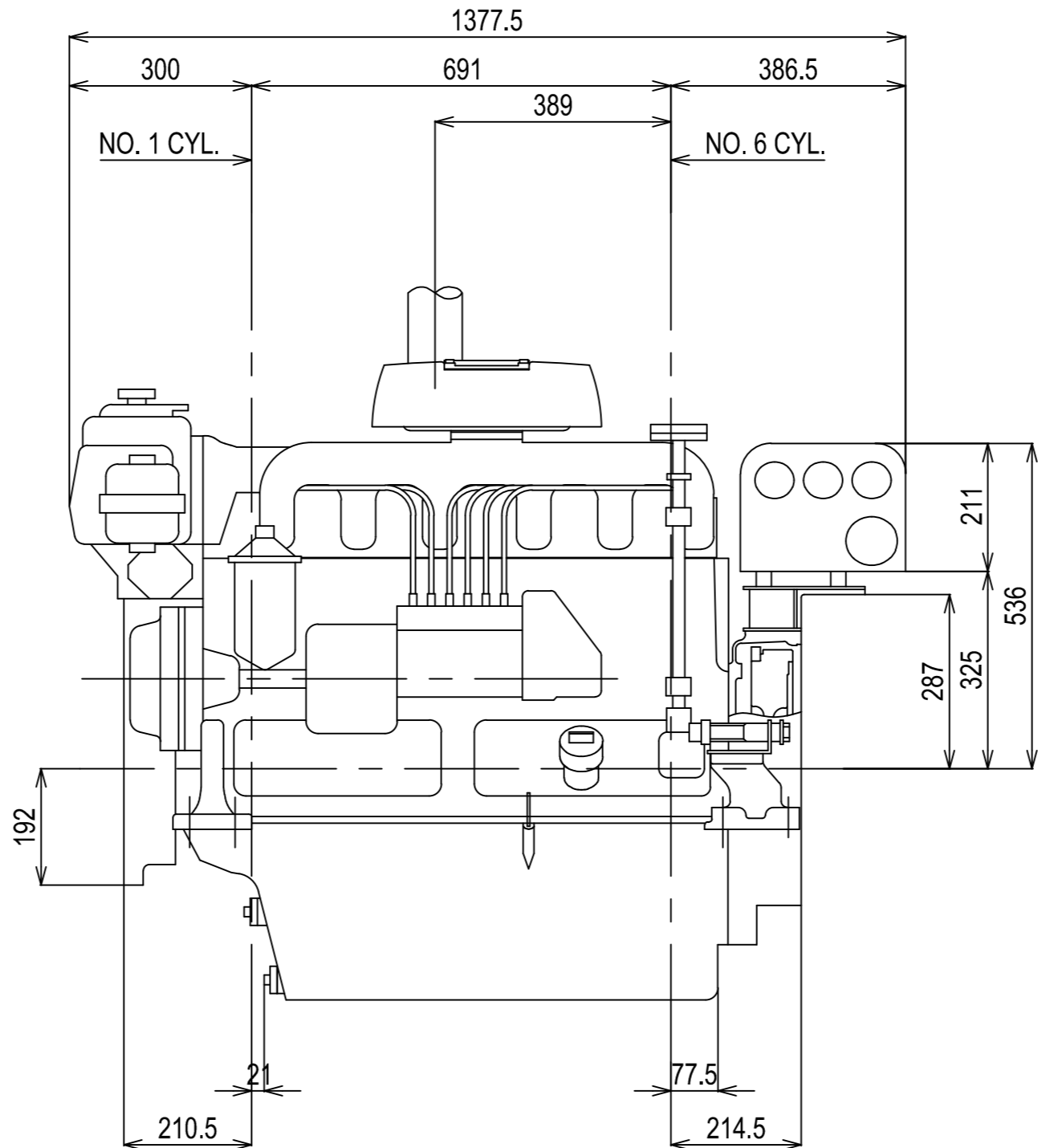
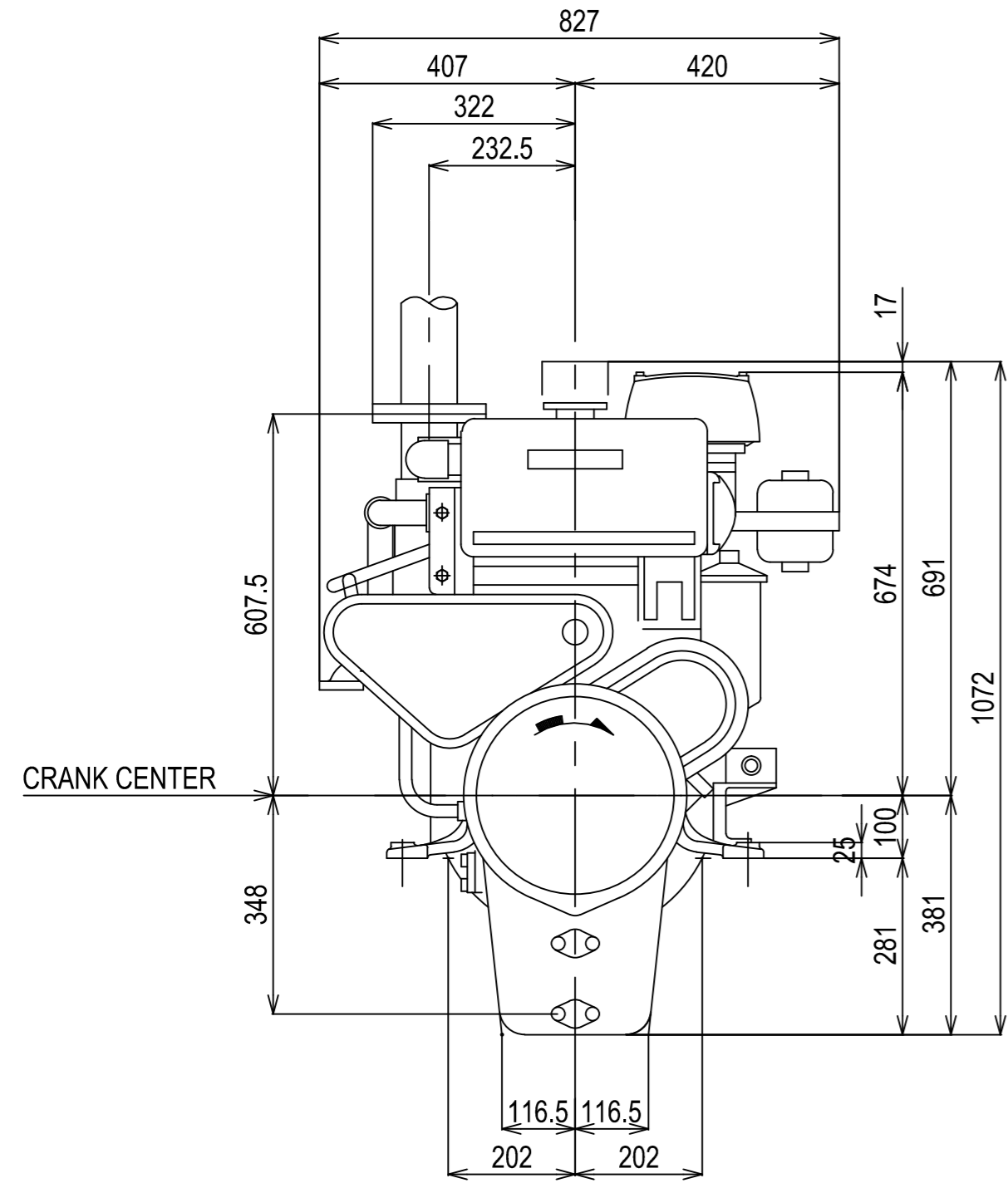


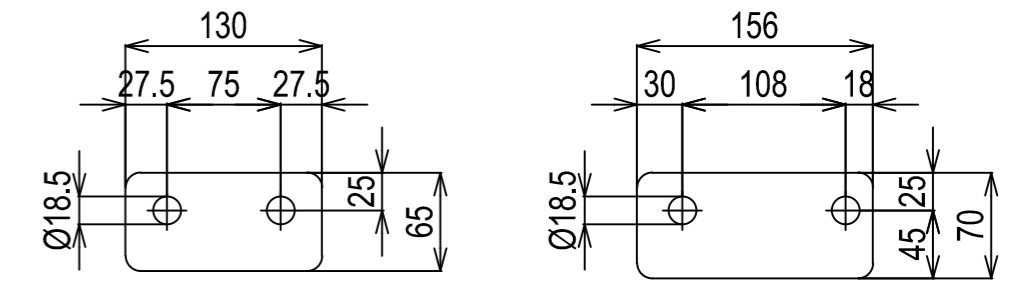
DETAIL OF FLYWHEEL



Flywheel housing & Flywheel : SAE #3 & #11-1/2



DETAIL OF MOUNTING BLOCK (1:5)



Series: 6CHL	Engine: 6CHL-N	Release: R2011-1
Scale: 1:10 (1:5)	Date: 01-03-2011	Dimensions: mm

