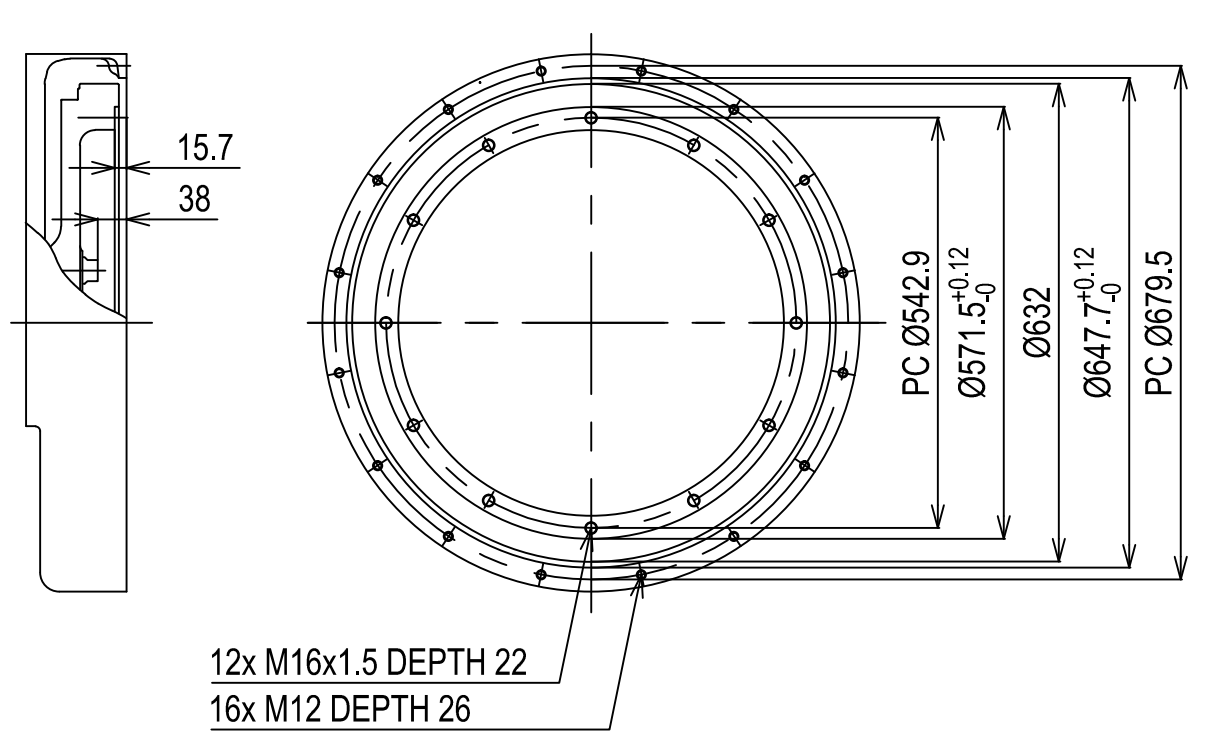
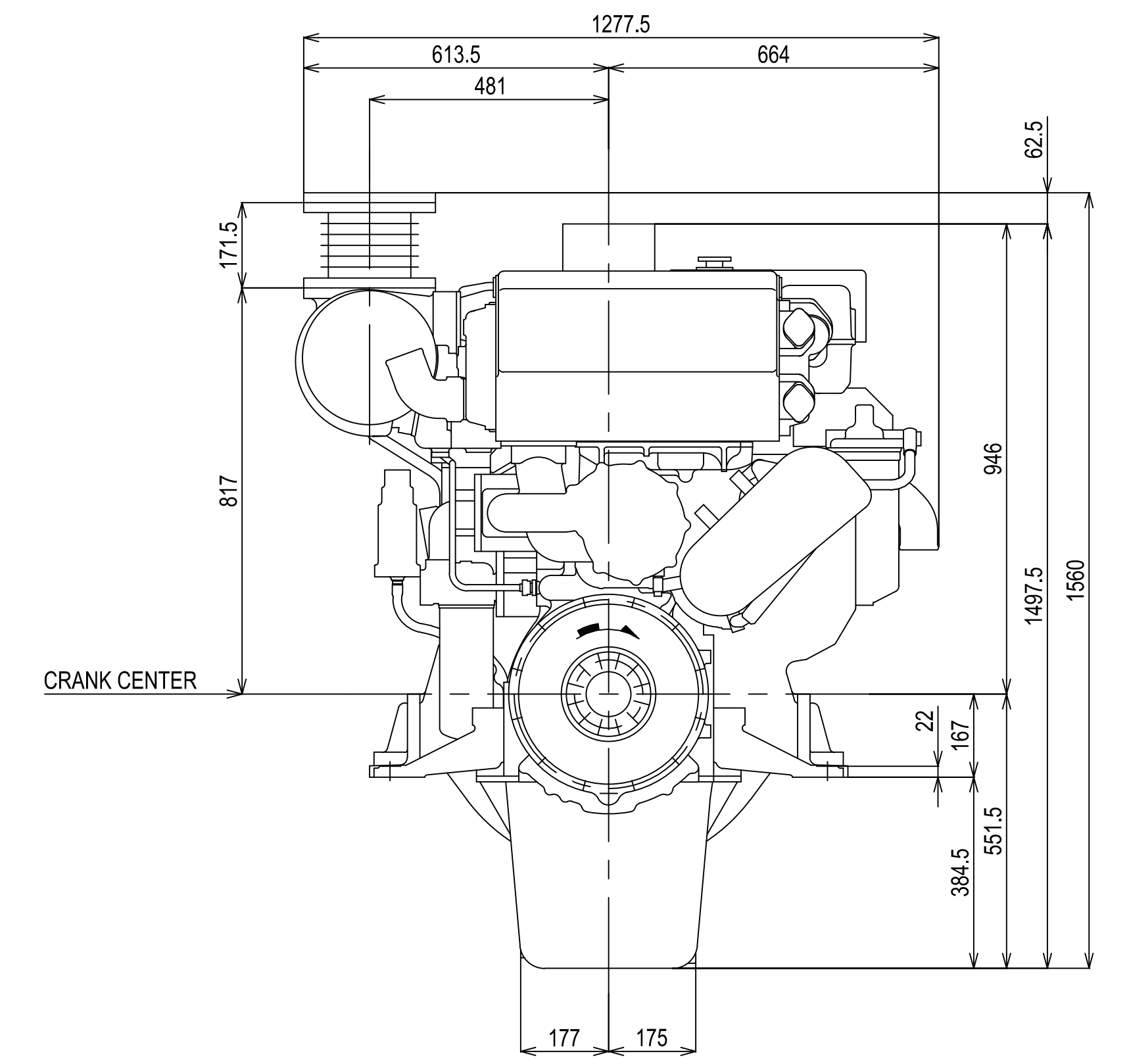
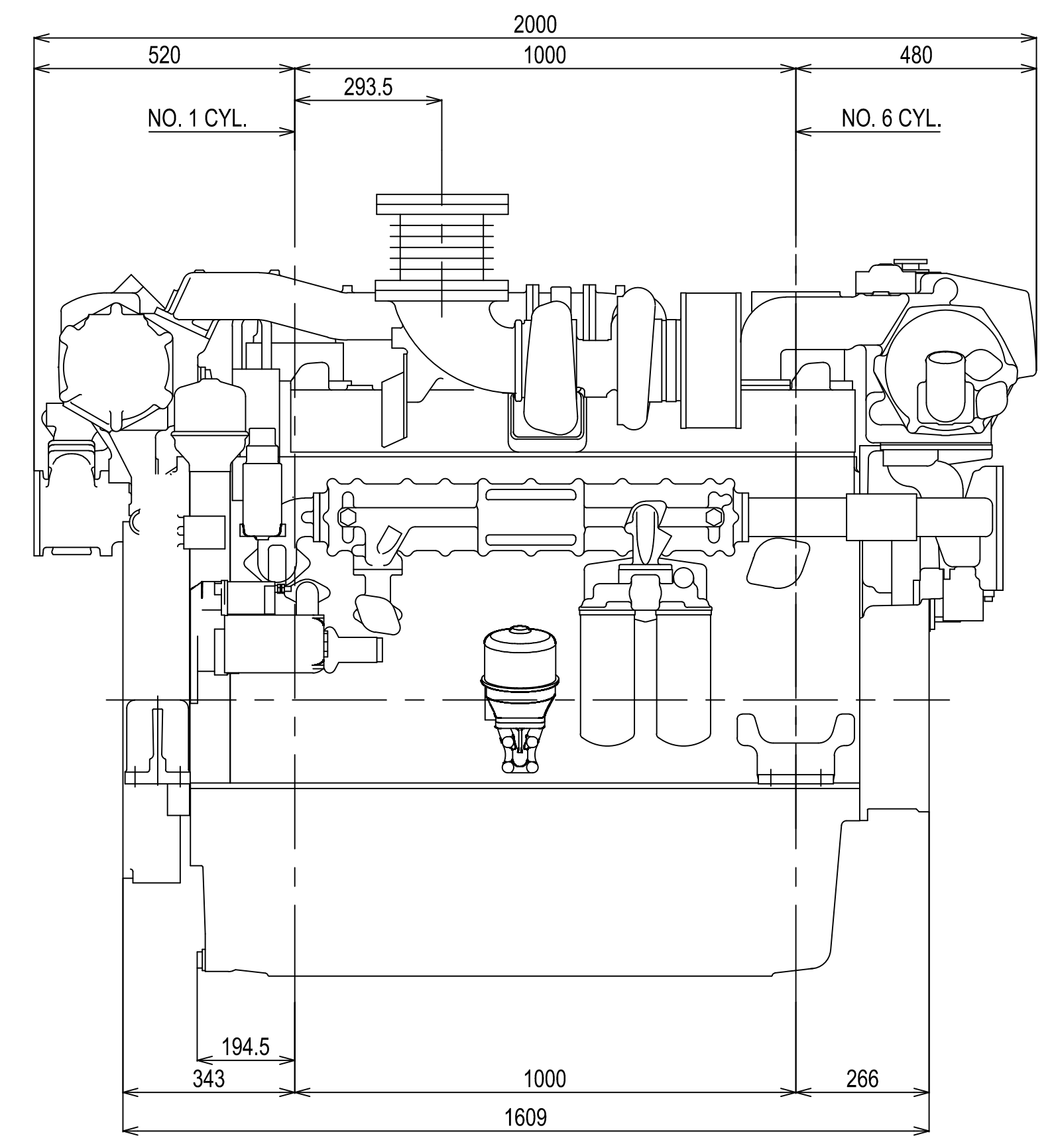
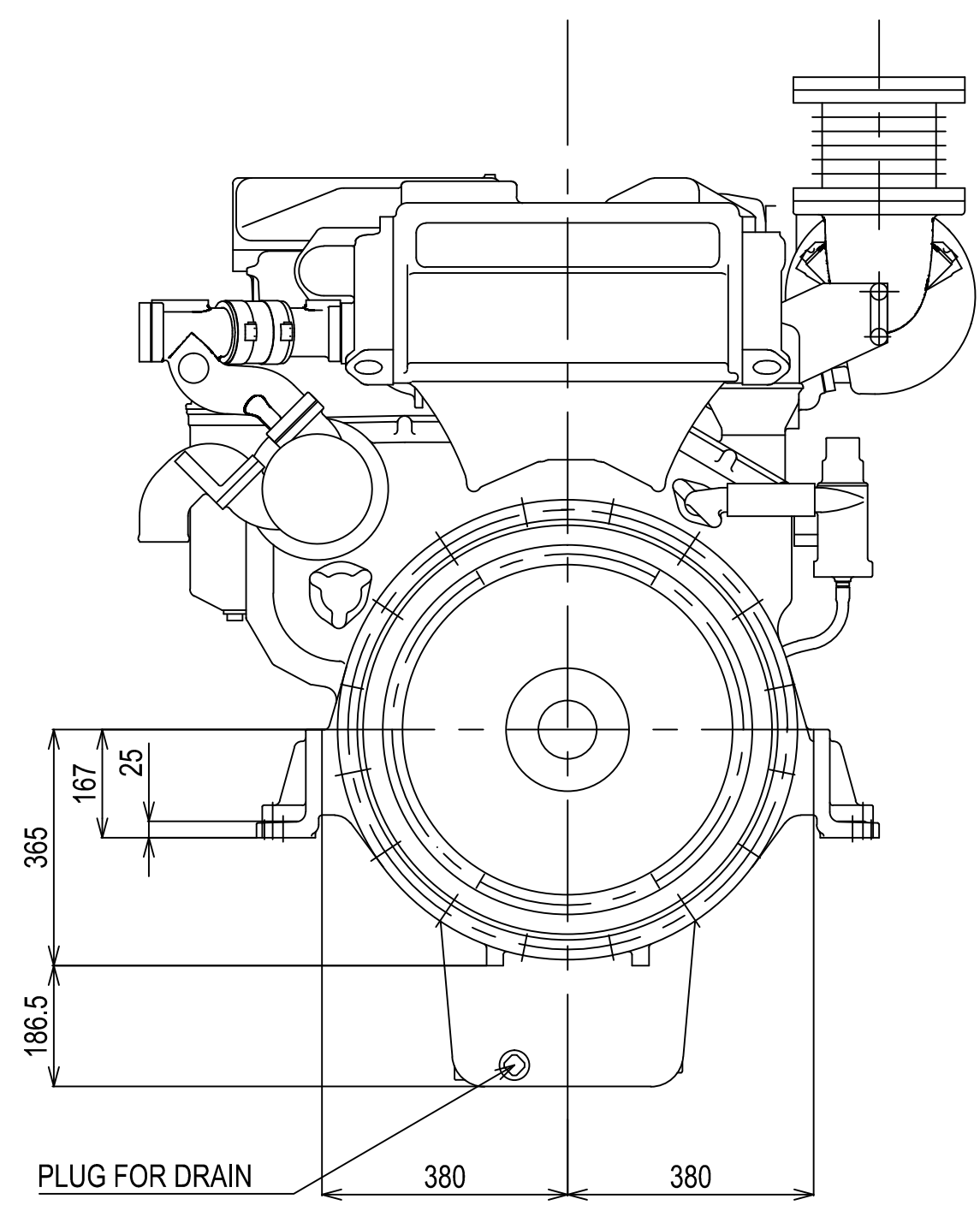
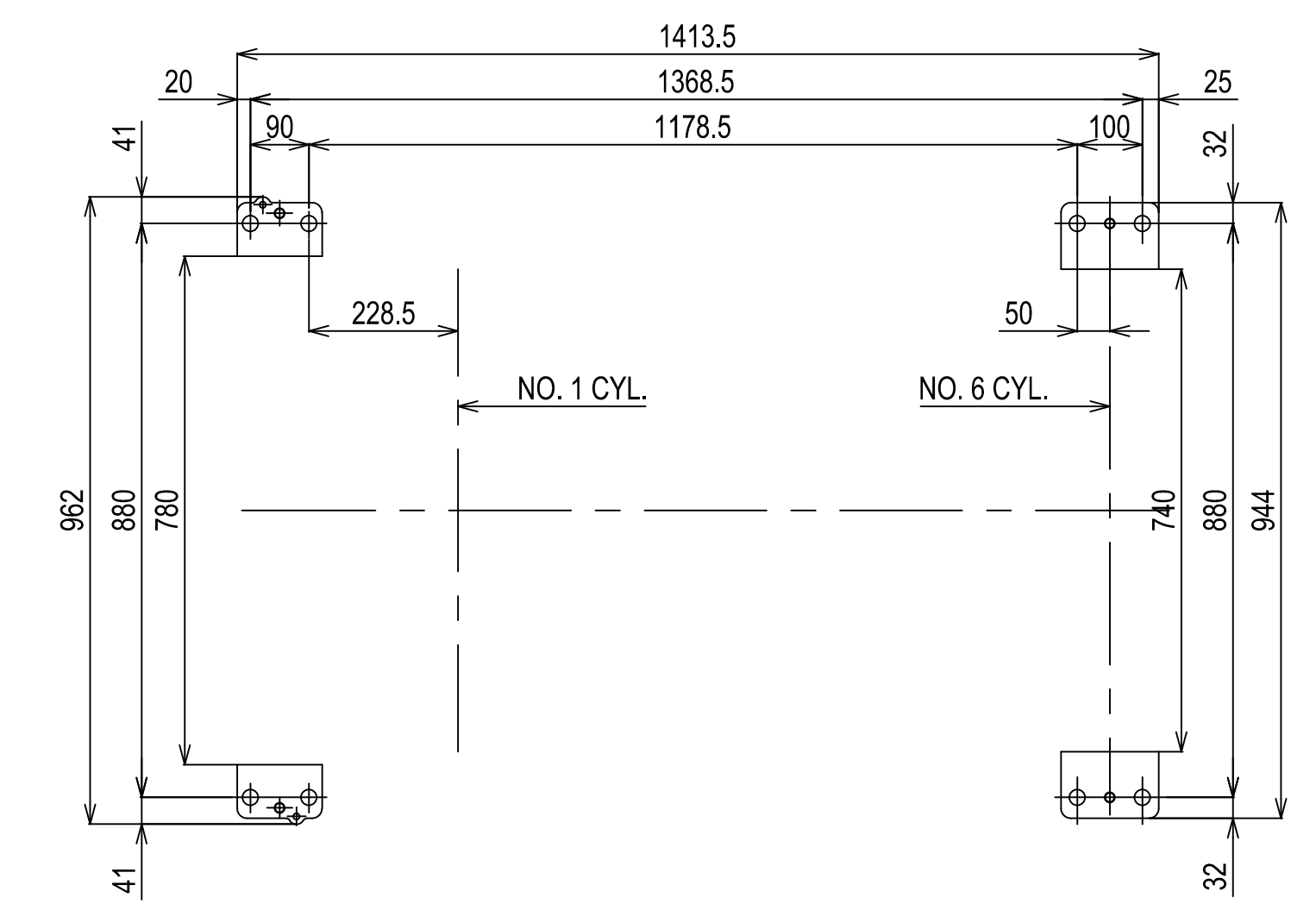
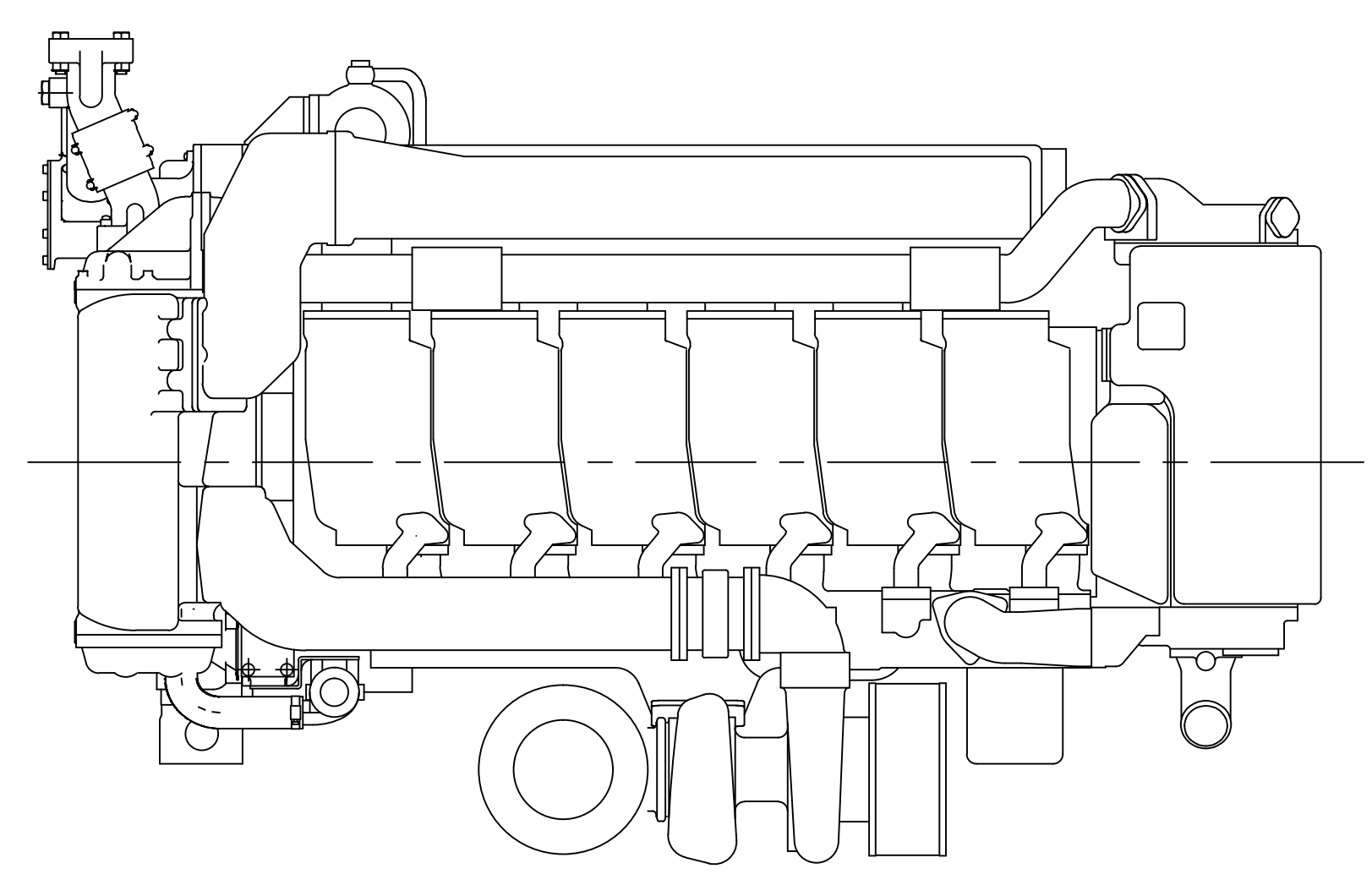


DETAIL OF FLYWHEEL



Flywheel housing & Flywheel : SAE #0 & #18



DETAIL OF MOUNTING BLOCK (1:5)

