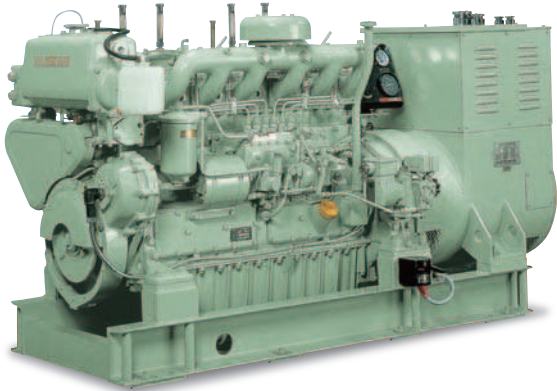


# 6CHL series

MARINE  
AUXILIARY  
DIESEL ENGINE

62~145hp / 1500~1800rpm  
50~120kVA (40~96kW)



- 6-cylinder, direct injection.
- Natural aspirated or turbocharged.
- Type approved by NK, BV.

## Specifications

TNA is not Type approved by BV.  
HTN(A) is not Type approved.

Model	6CHL-N	6CHL-TN	6CHL-TNA	6CHL-HTN	6CHL-HTNA
Number of cylinders	In-line 6				
Bore × stroke	mm 105 × 125				
Displacement	lit. 6.494				
Continuous rated engine speed	1500 1800	1500 1800	1500 1800	1500 1800	1500 1800
Continuous rated output hp	62 74	74 100	92 122	100 120	125 145
Applicable generator capacity	kVA(kW) 50 (40) 60 (48)	60 (48) 80 (64)	75 (60) 100 (80)	80 (64) 100 (80)	100 (80) 120 (96)
Frequency	Hz 50 60	50 60	50 60	50 60	50 60
Combustion system	Direct injection				
Aspiration	Natural aspiration		Exhaust Turbocharger		Exhaust Turbocharger with intercooler
Dry weight (Engine only)	kg 625	645	645	675	675
Dry weight (Gen. set)	kg 1220	1350	1350	1380	1540

## Accessories

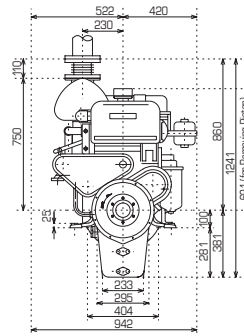
- Instrumental panel (attached to engine)
- Cooling system : Rubber impeller type sea water pump / Centrifugal type fresh water pump / Heat exchanger / Fresh water reservoir / Thermostat for fresh water / Emergency use sea water inlet
- Lubrication system : Lubrication oil pump / Lubrication oil cooler / Lubrication oil filter (Single type)
- Fuel system : Paper filter type fuel strainer / Drain separator to be mounted on vessel
- Turbocharging system : Exhaust gas outlet expansion joint from engine (TN(A), HTN(A))
- Electrical equipment : Starter motor (DC24V)4.0kW / Battery switch / 2 pole wiring
- Thermometer : Exhaust gas at outlet of each cylinder (N) / Exhaust gas at inlet of turbocharger (TN(A), HTN(A)) / Cooling water outlet / Lubrication oil at cooler inlet

[ 40 ]

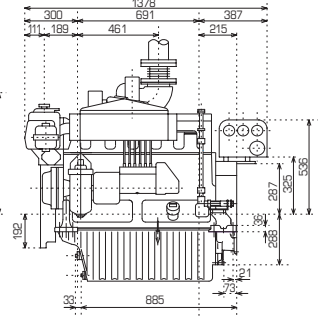
## Dimensions Unit:mm

Engine only (6CHL-HTN)

Front view



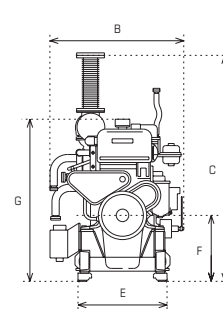
Left side view



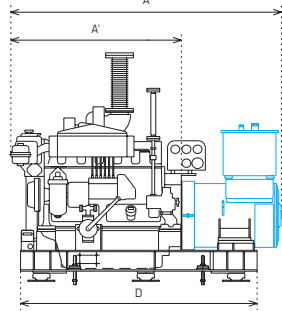
## Generator set dimensions for your reference Unit:mm

Generator set dimensions shown below depend on generator model

Front view



Left side view



G : Minimum Height for Removing Piston ( Not included the dimension for bolt fitting to piston remove. )

Model	A	A'	B	C	D	E	F	G
6CHL-N	1861	1206	962	1382	1650	640	474	1165
6CHL-TN	1926	1206	962	1624	1700	640	474	1165
6CHL-TNA	1926	1206	962	1624	1700	640	474	1165
6CHL-HTN	1946	1256	962	1624	1700	640	474	1165
6CHL-HTNA	2051	1256	962	1634	1900	640	484	1175

— Generator

[ 41 ]