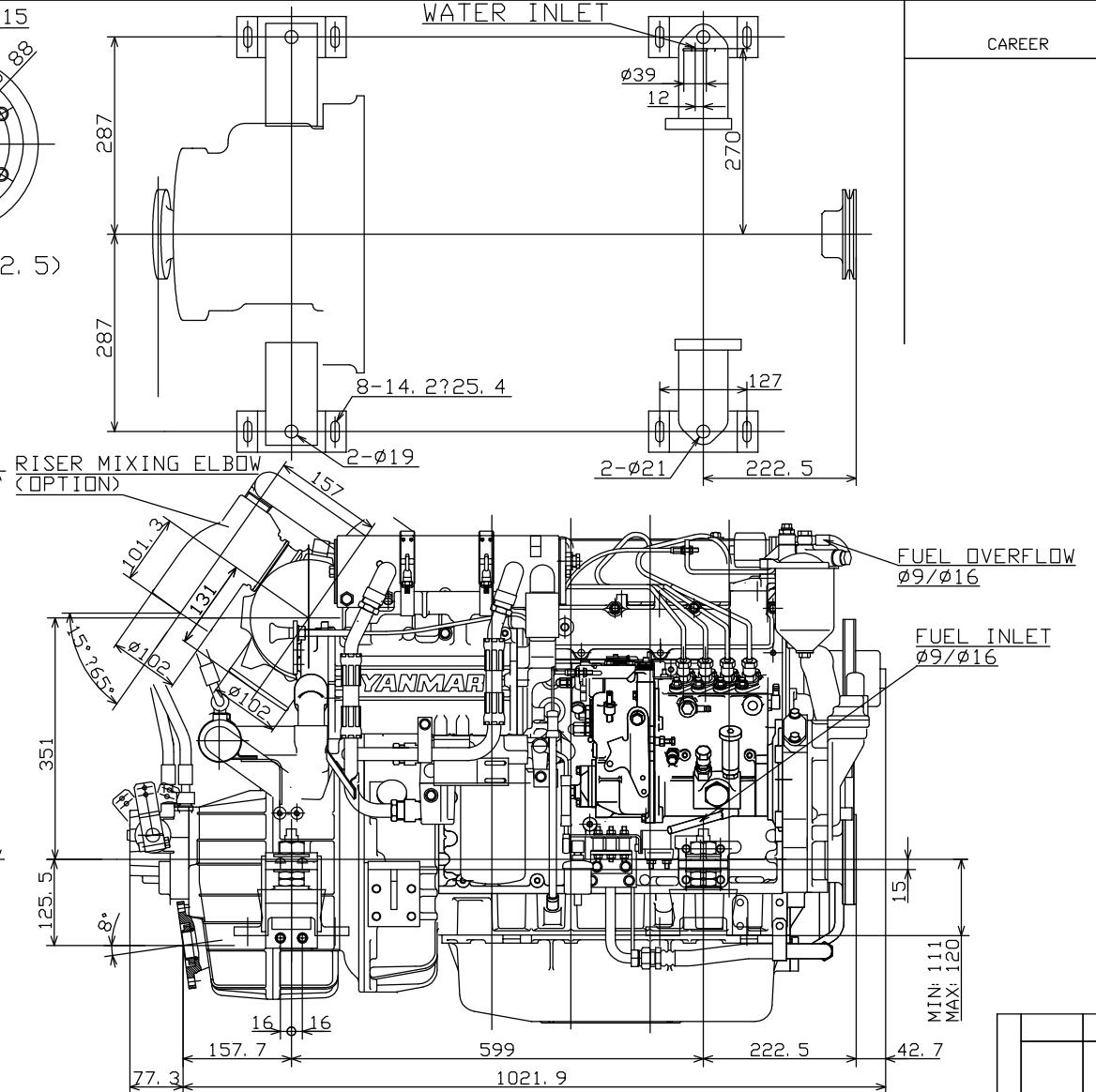
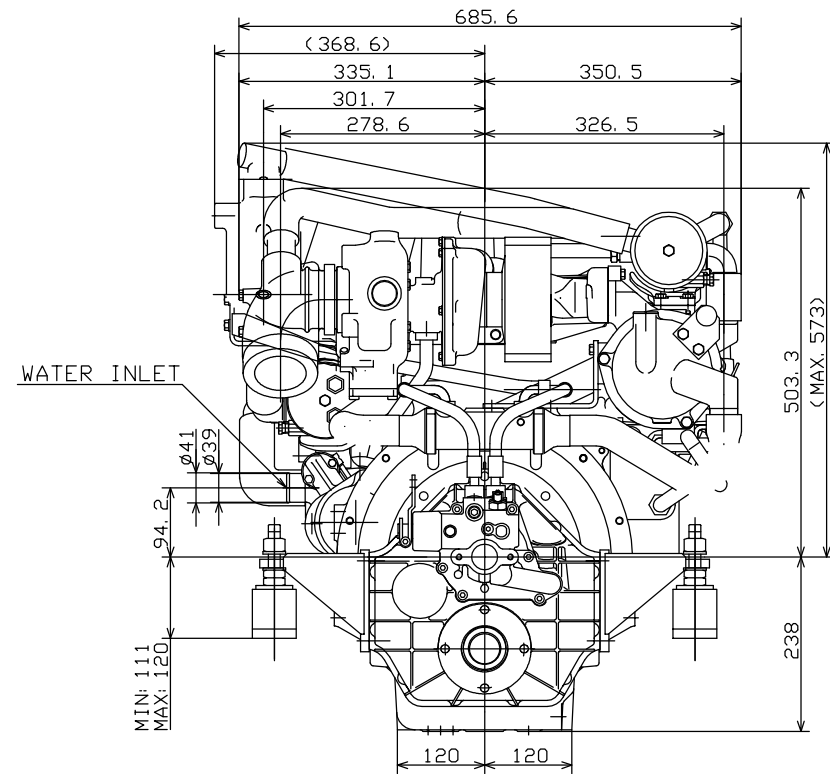


DETAIL OF COUPLING<1/2.5>



CAREER

1

2

3

4

NOTES

- 1) DWG. SHOWS MOUNTING BLOCKS AT COMPRESSED HEIGHT (COMPRESSED BY APPROX 5mm).
- 2) MOUNT P/#: 119175-08440 (BARRY)
- 3) ALL DIMENSIONS ARE IN MILLIMETERS

Scale 1/5
(1/2.5)

4LHA-DTP WITH
ZF45A2

YANMAR MARINE INTERNATIONAL
24 April 2005

B2-19173-0360
A2
(C)

A B C D