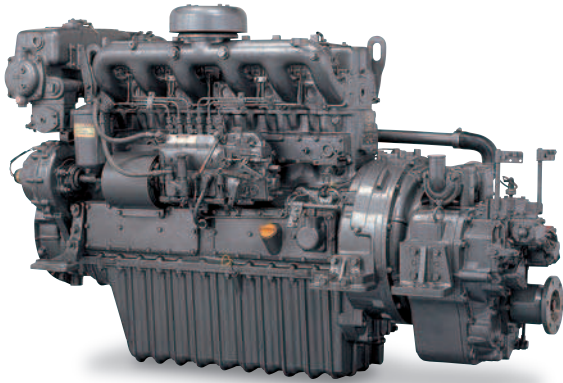


4CHE3 / 6CHE3

M-L-rating 57.4~95.6kW (78~130mhp)



- Direct injection, heat exchanger cooling.
- Natural aspirated 4- and 6-cylinder.
- Durable hydraulic marine gear.

Specifications

Model	4CHE3	6CHE3
Number of cylinders	4 in-line	6 in-line
Bore × stroke	mm 105 × 125	
Displacement	lit. 4.330	6.494
Rated output	kW(hp)/rpm M : 57.4(78)/2550 L : 62.5(85)/2600	M : 84.6(115)/2550 L : 95.6(130)/2600
Combustion system	Direct injection	
Aspiration	Natural aspirated	
Starting system	Electric starting motor (24V 4.0kW)	
Cooling system	Heat exchanger	
Marine gear	Hydraulic	
Dry mass (with marine gear)	kg 568 (570, YX-30)	700
Dimensions(L×W×H)	mm 1183.5×688×1021 with YX20 1258×688×1022 with YX30	1496×690×1018 with YX30

Marine gear specifications

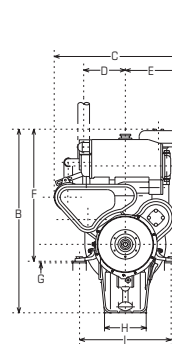
Engine model : 4CHE3·6CHE3				
Model	YX-20 (or YX-30)		YX-30	
Type	Hydraulic multi-disc clutch, wet type			
Reduction ratio (Ahead)	2.03	2.55	2.96	3.48
Direction of rotation (propeller shaft)	Clockwise or counter-clockwise viewed from stern			
Dry weight	kg 68 (or 70)	70		

Accessories

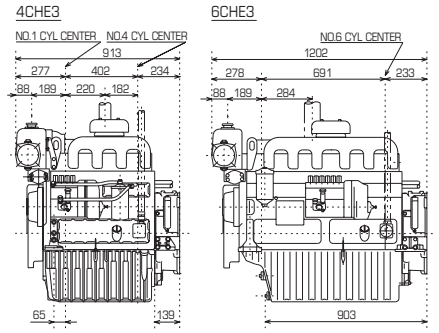
- Breather hose with fittings
- Drain separator
- Evacuation hand pump
- Fresh water sub-tank
- Alternator 600W
- Instrument panel for wheel house (B/D-type)
- Half coupling
- Standard spare parts kit
- Standard tool kit
- Operation manual
- Installation parts
- Exhaust bellows
- Exhaust silencer
- Sea water filter
- Kingston
- Bilge pump
- Battery switch
- Remote control head & cable
- Pipes for exhaust, sea water, fuel oil

Dimensions Unit:mm

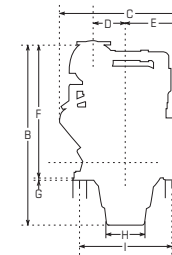
Engine only / Front view



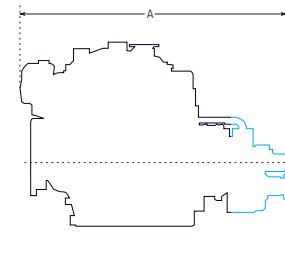
Engine only / Left side view



With gearbox / Rear view



With gearbox / Left side view



Model	A	B	C	D	E	F	G	H	I
4CHE3 × YX-20-1	1184	1021	688	232	292	734	9	234	510
4CHE3 × YX-30-2	1258	1022	688	232	292	735	9	232	510
6CHE3 × YX-30-2	1496	1018	690	233	300	737	9	233	550

— Marine gear

Performance curves

