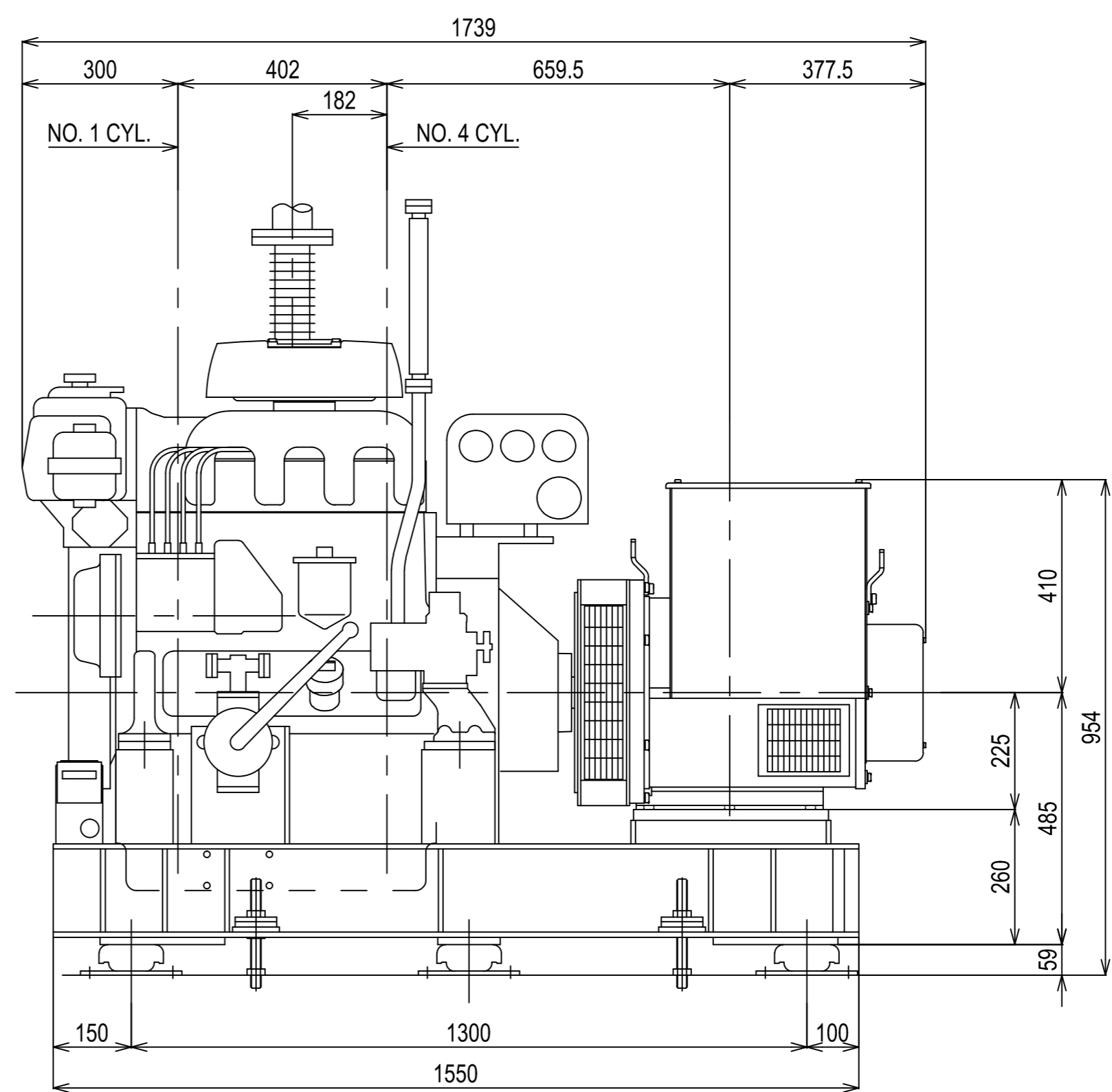
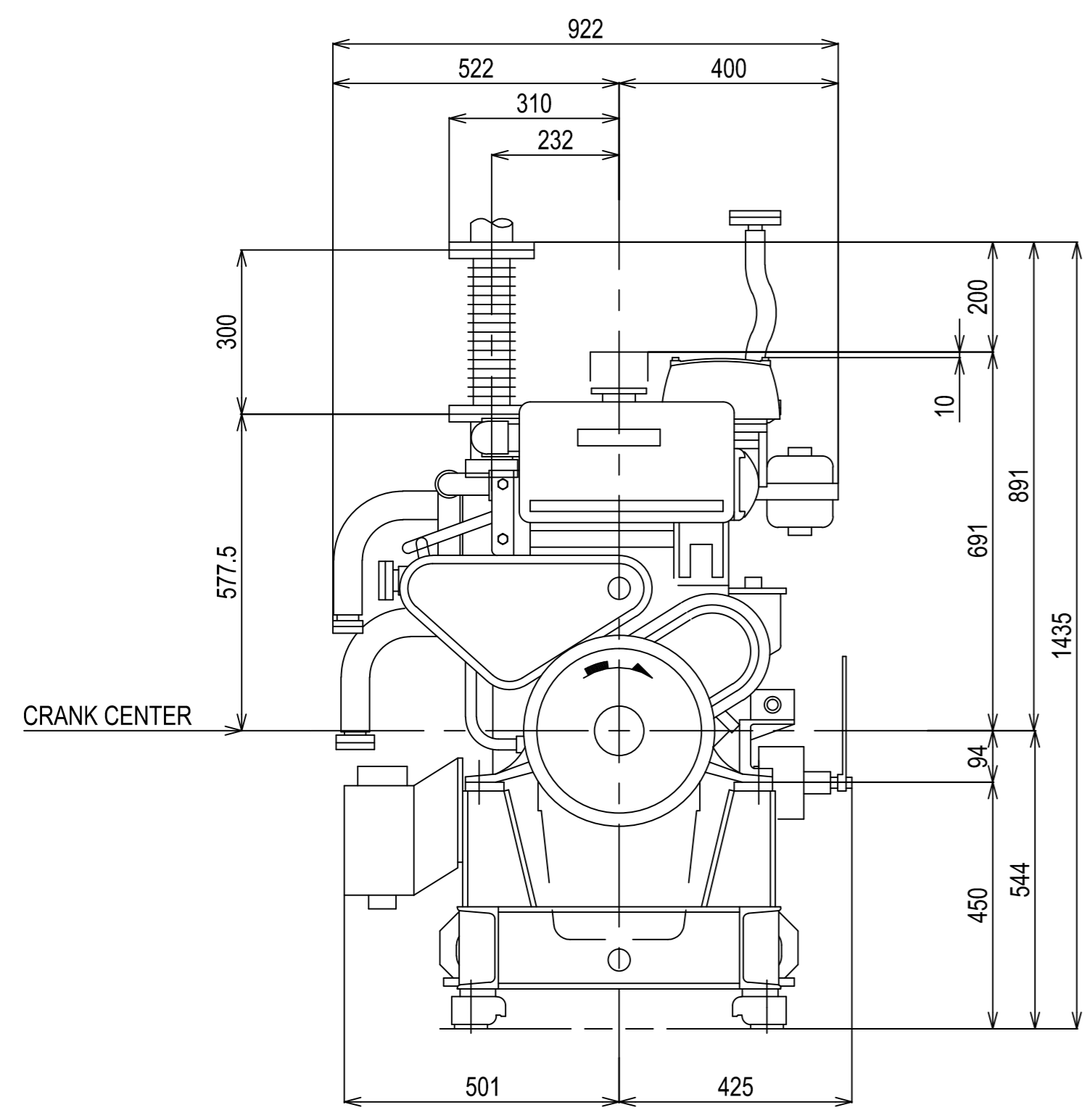
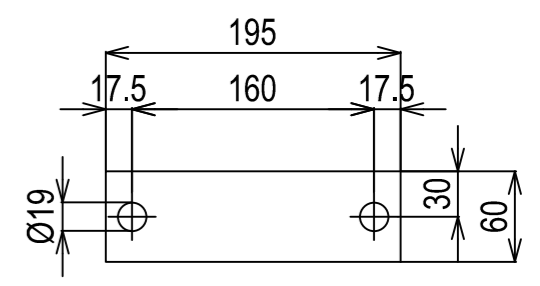


DETAIL OF MOUNTING BLOCK (1:5)



Series: 4CHL	Engine: 4CHL-NxUCM224C2	Release: R2011-1
Scale: 1:10 (1:5)	Date: 01-03-2011	Dimensions: mm

