

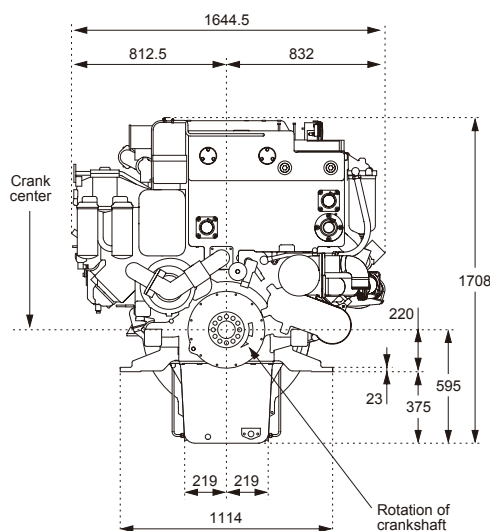
12AYM-WST Series

REBORN POWER AND QUALITY | LONG STROKE | IMO Tier II Compliant | Mechanical Engine Control

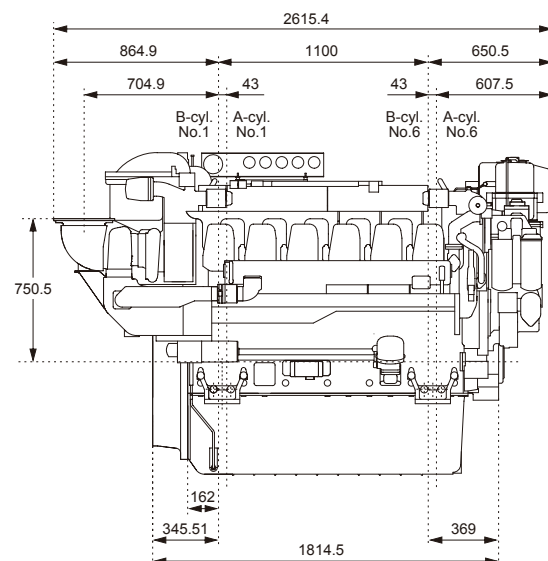
Configuration	V-type, vertical, water-cooled, 4-cycle diesel engine	
Maximum output at crankshaft	H: 1030 kW@1900 rpm	[1400 mhp@1900 rpm]
	H: 882 kW@1850 rpm	[1200 mhp@1850 rpm]
Displacement	40.76 ltr	
Bore x stroke	155 mm x 180 mm	
Cylinders	12 V-type	
Combustion system	Direct injection	
Starting system	Electric starting motor [DC 24V - 6.5 kW] x 2 or air motor x 2	
Flywheel housing size	SAE #00, 21 inch	
Turbocharging system	Exhaust gas turbocharger [with air cooler] TD13M	
Cooling system	Constant high temperature cooling system	
Cooling fresh water capacity	211 ltr [jacket]	
Lubrication system	Wet sump system, forced lubrication by gear pump	
Lubricating oil capacity	Max.: 170 ltr Min.: 110 ltr [sump tank] [in engine piping line: 25]	
Lubricating oil grade	SAE40 or SAE15W-40	
Direction of rotation [crankshaft]	Counterclockwise, when viewed from the flywheel side	
Dry weight without gear	4870 kg [without Fresh water cooler]	
Environmental	IMO Tier II	
Fuel consumption [at rated output]	H: 211 + 5% gr/kW hr [without marine gear]	
	H: 205 + 5% gr/kW hr [without marine gear]	

DIMENSIONS [UNIT: MM]

Front view, engine only

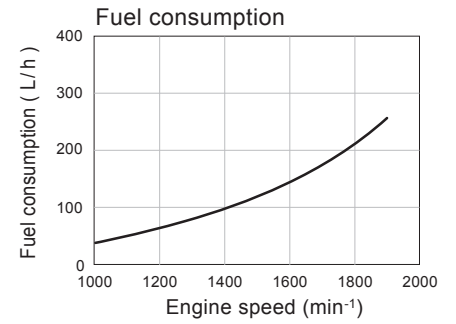
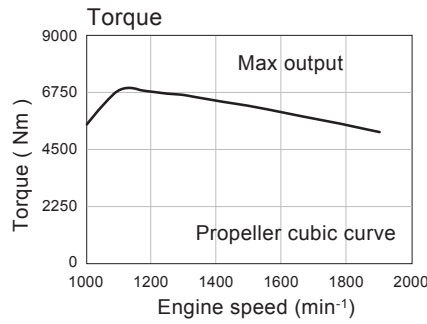
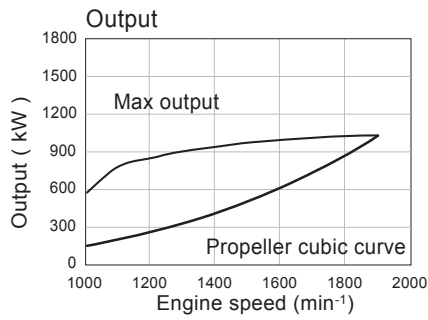


Right side view, engine only

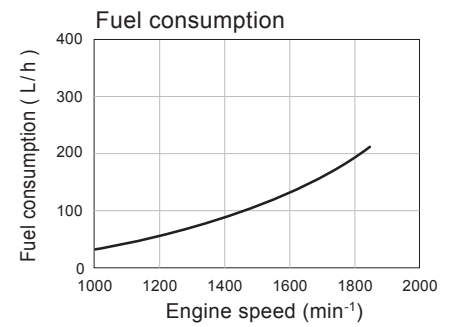
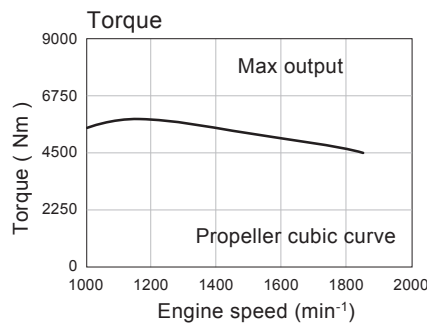
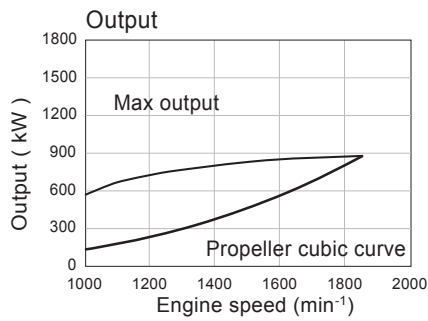


PERFORMANCE CURVES

H-rating 1030 kW [1400 mhp]



H-rating 882 kW [1200 mhp]



Rating definitions: hp= 0.7355 kW Ratings are based on conditions of 100 kPa, 30% relative humidity at 25 °C.
H= For applications where use of rated power is less than 24 hours continuous out of every 30 hours and operation is less than 4000 hours per year. When combined with a correctly matched propeller which allows the engine rated rpm to be achieved in a fully loaded vessel state, the reduced-power operation can be at or below 50 rpm of the rated speed.
Fuel rates: Specific gravity 0.835 g/cc, low calorific value 42700 kJ/kg [10200 kcal/kg], Cetane No. 45.